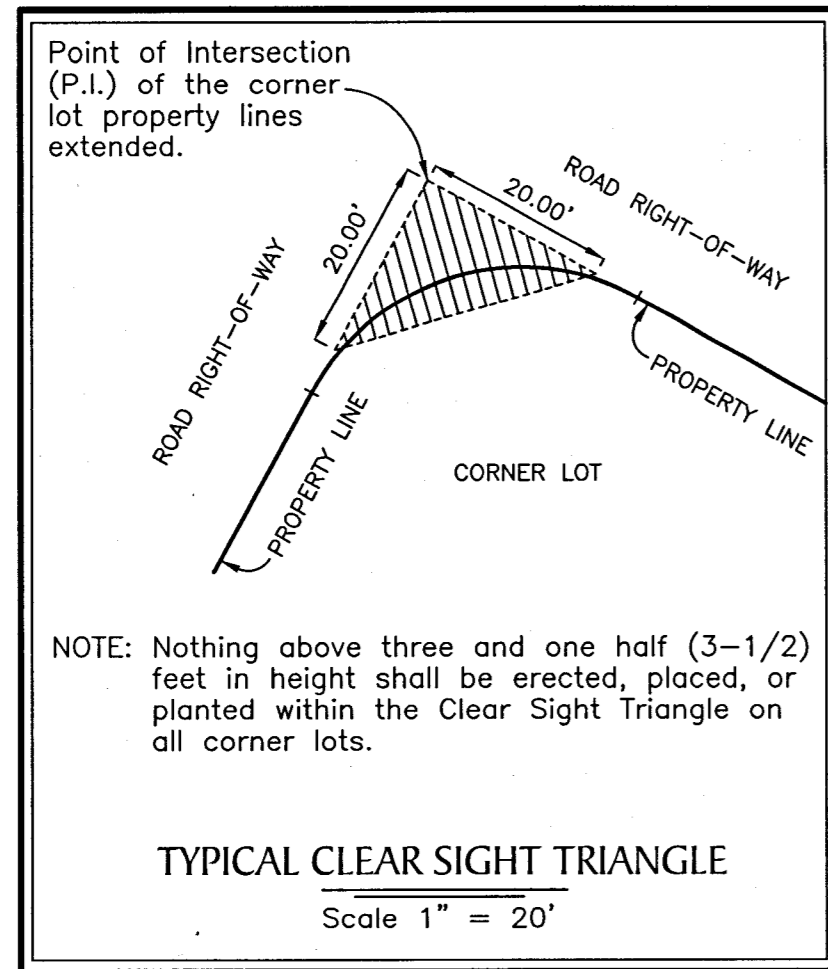




# VIDA'S WAY LEGACY PHASE 1A

A SUBDIVISION OF LAND BEING A PORTION OF SECTION 1, TOWNSHIP 26 SOUTH, RANGE 20 EAST, PASCO COUNTY, FLORIDA



**LINE DATA TABLE**

NO.	BEARING	LENGTH
L1	S 13°22'00" E	121.00'
L2	N 80°01'30" E	65.55'
L3	N 88°28'00" E	58.31'
L4	S 87°32'00" E	58.31'
L5	S 81°30'00" E	58.31'
L6	S 45°00'00" W	61.00'
L7	S 34°00'00" E	24.00'

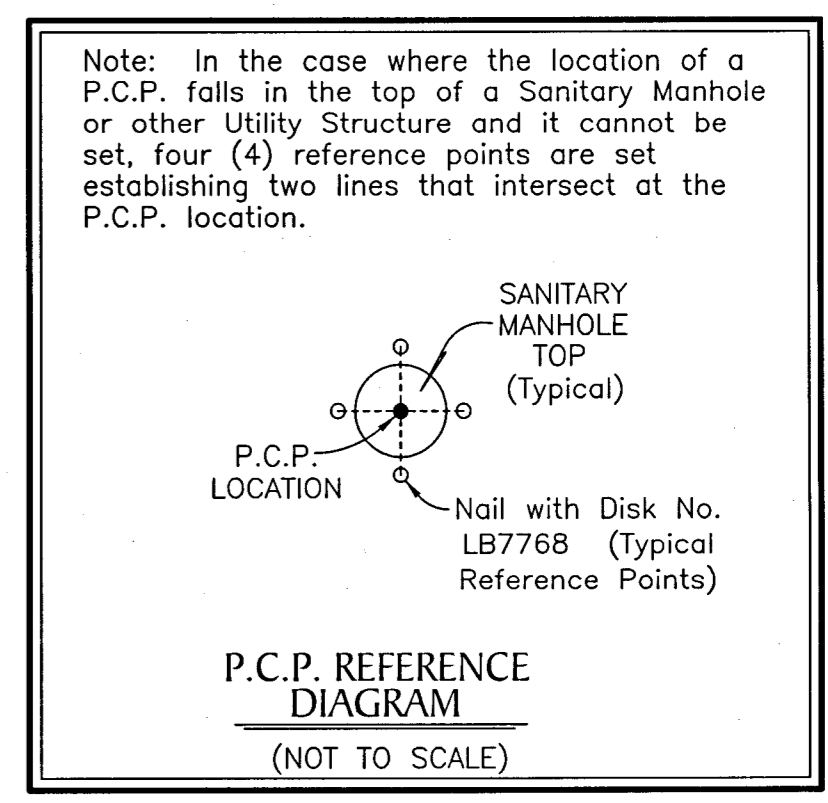
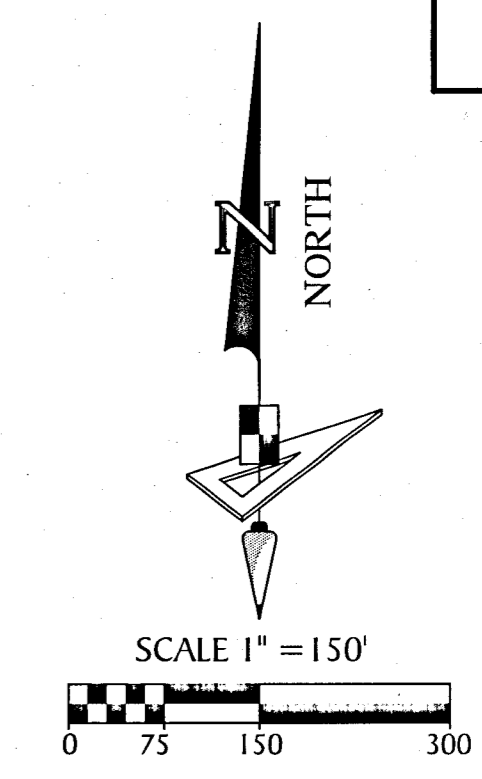
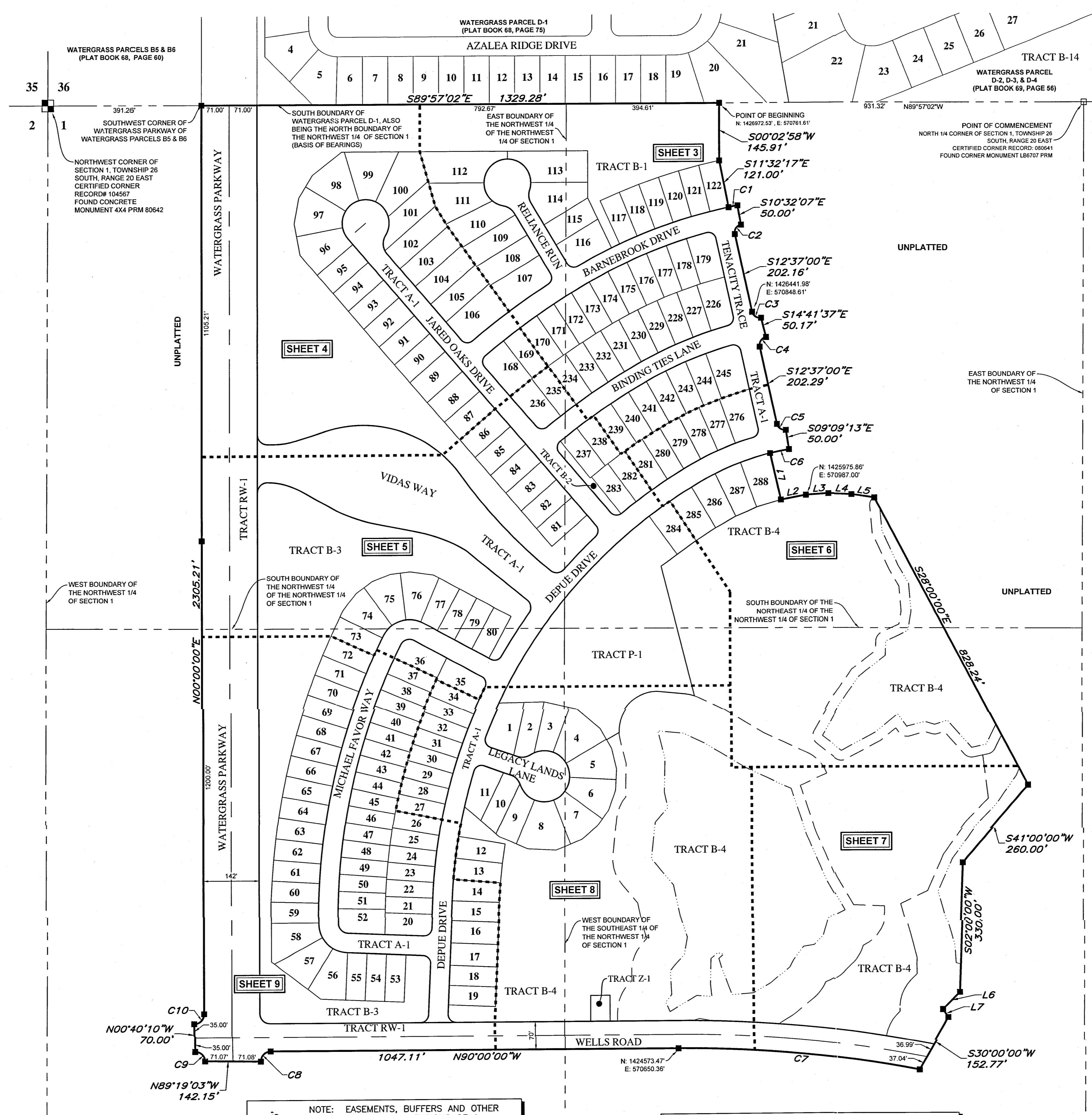
**CURVE DATA TABLE**

NO.	RADIUS	DELTA	ARC	CHORD	BEARING
C1	1309.00'	1°00'10"	22.91'	22.91'	N 78°57'48" E
C2	20.00'	92°04'53"	32.14'	28.79'	S 33°25'27" W
C3	20.00'	87°30'46"	30.55'	27.66'	S 56°22'23" E
C4	20.00'	92°43'25"	32.37'	28.95'	S 33°44'43" W
C5	20.00'	86°32'13"	30.21'	27.42'	S 55°53'07" E
C6	675.00'	4°12'47"	49.63'	49.62'	S 78°44'23" W
C7	3265.00'	10°47'35"	615.04'	614.13'	N 84°36'13" W
C8	25.00'	92°03'45"	40.17'	35.99'	S 43°58'07" W
C9	25.00'	88°10'52"	39.48'	34.79'	N 45°54'34" W
C10	25.00'	90°00'00"	39.27'	35.36'	N 45°00'00" E

**NOTE:**  
A 1/2 INCH DIAMETER IRON PIPE WITH CAP No. LB7768 WILL BE SET AT EACH LOT CORNER AS REQUIRED BY CHAPTER 177 OF THE FLORIDA STATUTES WITHIN THE TIME ALLOTTED IN 177.091 (9), UNLESS PRIOR MONUMENTATION OF THE LOT CORNER IS FOUND IN PLACE.

**NOTE:**  
All platted utility easements shall provide that such easements shall also be easements for the construction, installation, maintenance, and operation of cable television services; provided, however, no such construction, installation, maintenance, and operation of cable television services shall interfere with facilities and services of an electric, telephone, gas, or other public utility. In the event a cable television company damages the facilities of a public utility, it shall be solely responsible for the damages. This section shall apply to those private easements granted to or obtained by a particular electric, telephone, gas, or other public utility. Such construction, installation, maintenance, and operation shall comply with National Electrical Safety Code as adopted by the Florida Public Service Commission.

- LEGEND:**
- indicates (P.R.M.) Permanent Reference Monument - 4"x4" Concrete Monument LB7768, unless otherwise noted.
  - ⊕----- indicates (P.R.M.) Offset Permanent Reference Monument - 4"x4" Concrete Monument LB7768, unless otherwise noted.
  - indicates (P.C.P.) Permanent Control Point LB7768
  - (NR)----- indicates non-radial line
  - T.E.----- Technology Easement



**TRACT DESIGNATION TABLE**

TRACT	USAGE	ACREAGE
A-1	(CDD) RIGHT-OF-WAY & UTILITY EASEMENT (PUBLIC)	11.25
B-1	(CDD) DRAINAGE, LANDSCAPE AREA, PUBLIC ACCESS EASEMENT AND OPEN SPACE	8.64
B-2	(CDD) LANDSCAPE AREA, PUBLIC ACCESS EASEMENT AND OPEN SPACE	0.11
B-3	(CDD) DRAINAGE, LANDSCAPE AREA, PUBLIC ACCESS EASEMENT AND OPEN SPACE	5.47
B-4	(CDD) DRAINAGE, LANDSCAPE AREA, WETLAND CONSERVATION, PUBLIC ACCESS EASEMENT AND OPEN SPACE	28.37
P-1	(CDD) AMENITY, DRAINAGE AREA, AND OPEN SPACE	3.26
RW-1	(PUBLIC) RIGHT-OF-WAY FOR WATERGRASS PARKWAY AND WELLS ROAD	10.71
Z-1	(PUBLIC) LIFT STATION TRACT	0.08

**BASIS OF BEARINGS**  
The North boundary of the Northwest 1/4 of Section 1, Township 26 South, Range 20 East, Pasco County, Florida, has a Grid bearing of S.89°57'02"E. The Grid bearings as shown hereon refer to the State Plane Coordinate System (NAD 83-1990 ADJUSTMENT) for the West Zone of Florida.

**WETLAND CONSERVATION AREA NOTE:**  
Wetland Conservation Areas as shown hereon may be subject to certain restrictions found in: Pasco County Land Development Code, Southwest Florida Water Management District (SWFWMD) Environmental Resource Permit, and/or the United States Army Corps of Engineers (C.O.E.) Permit.

**NOTE:** EASEMENTS, BUFFERS AND OTHER SUCH LABELS AND DIMENSIONS OF A PARALLEL NATURE AS SHOWN HEREON AND INDICATED TO THE NEAREST FOOT (IE: 5' UTILITY EASEMENT) ARE ASSUMED TO BE THE SAME DIMENSION EXTENDED TO THE NEAREST HUNDREDTH OF A FOOT WITH NO GREATER OR LESSER VALUE (IE: 5' = 5.00')

**NOTE:** ALL LINES INTERSECTING A CURVE (R) UNLESS OTHERWISE NOTED AS NON-RADIAL (NR).

The coordinate values shown hereon are based on the National Geodetic Survey Control Point and were established to Third Order Class 1 accuracy as defined by the Standards and Specifications for Geodetic Control Networks, as published by the Federal Geodetic Control Committee, dated September 1984 or latest edition. "T31-122"

**NOTE:** This plat, as recorded in its graphic form, is the official depiction of the subdivided lands described herein and will in no circumstances be supplanted in authority by any other graphic or digital form of the plat. There may be additional restrictions that are not recorded on this plat that may be found in the public records of this county.

**KEY SHEET**  
NOTE: REFER TO THE FOLLOWING SHEETS OF THIS PLAT FOR DETAILED LABELING AND DIMENSIONING.

**GeoPoint**  
Surveying, Inc.

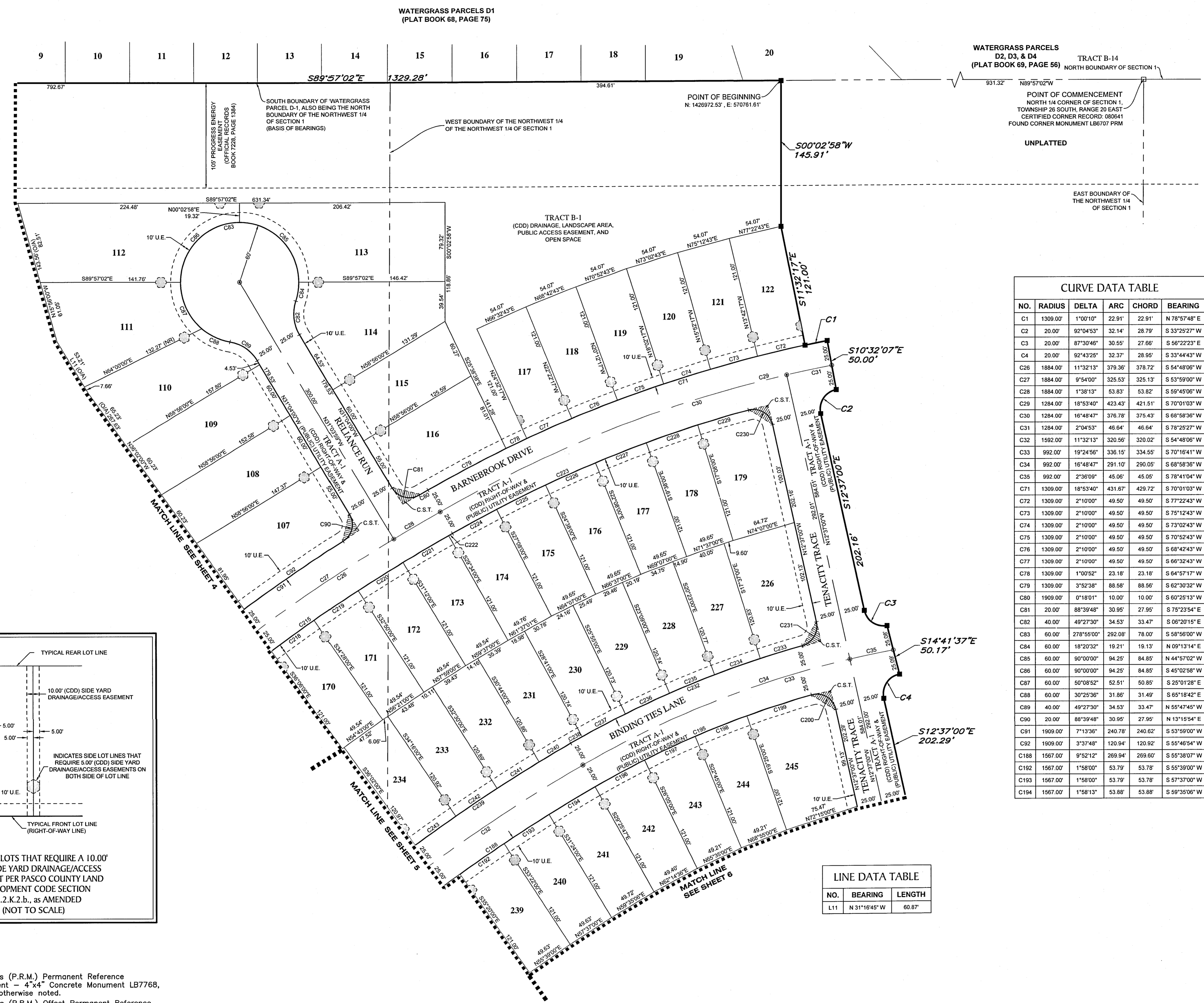
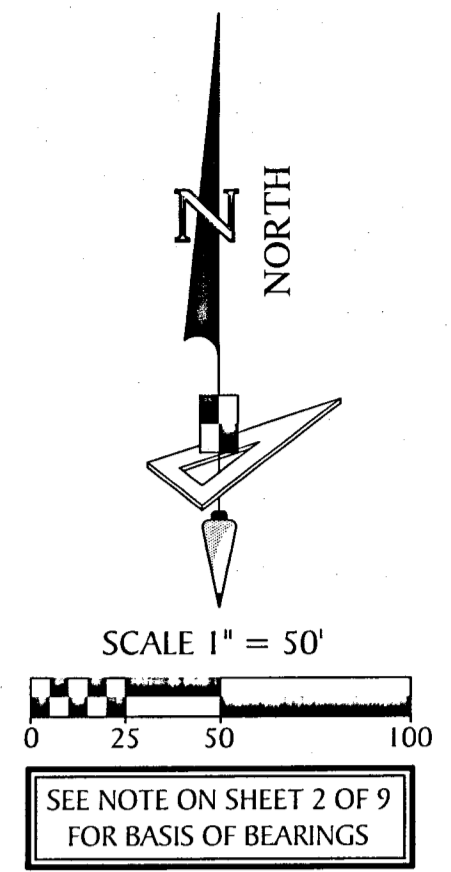
213 Hobbs Street  
Tampa, Florida 33619  
www.geopointsurvey.com

Phone: (813) 248-8888  
Fax: (813) 248-2266  
Licensed Business Number LB 7768

**SHEET 2 OF 9 SHEETS**

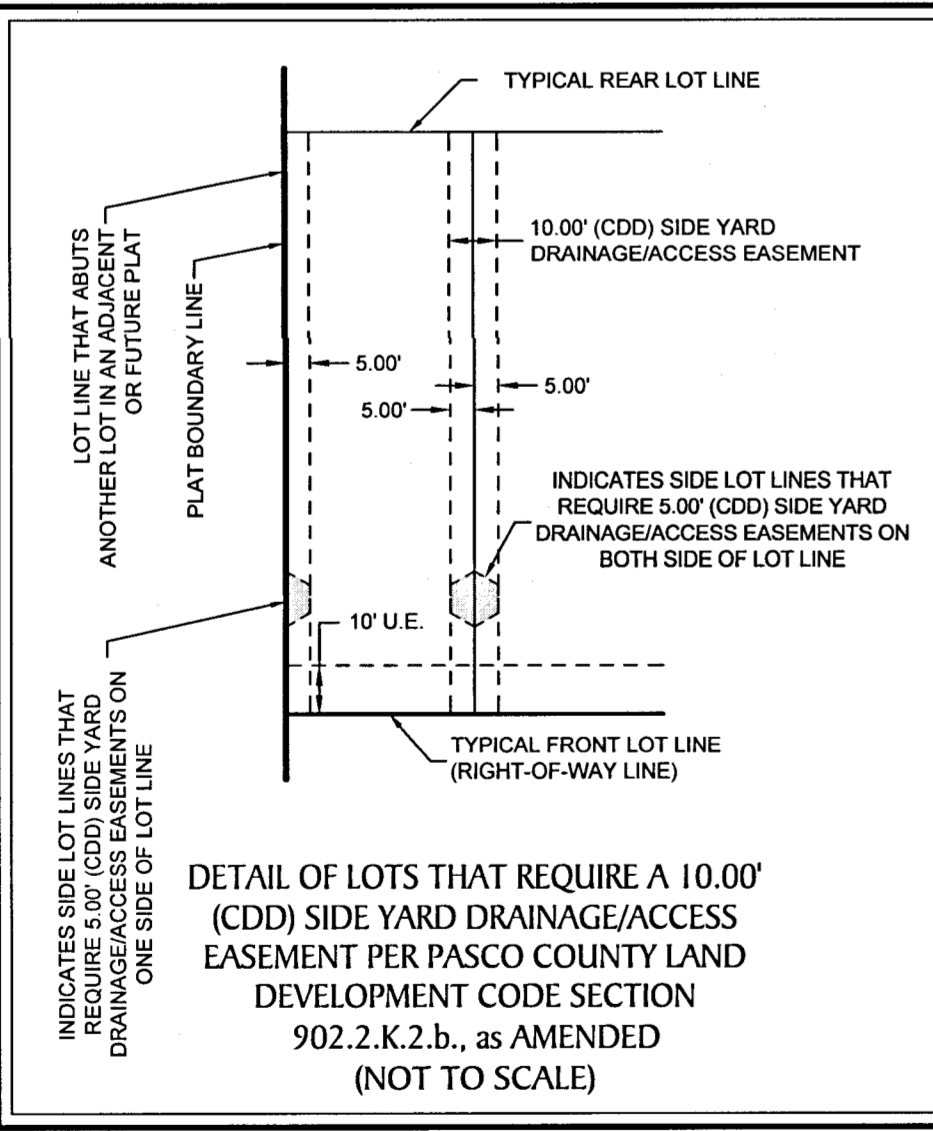
# VIDA'S WAY LEGACY PHASE 1A

A SUBDIVISION OF LAND BEING A PORTION OF SECTION 1, TOWNSHIP 26 SOUTH, RANGE 20 EAST, PASCO COUNTY, FLORIDA



NO.	RADIUS	DELTA	ARC	CHORD	BEARING
C1	1309.00'	1°00'10"	22.91'	22.91'	N 78°57'48" E
C2	20.00'	92°04'53"	32.14'	28.79'	S 33°25'27" W
C3	20.00'	87°30'46"	30.55'	27.66'	S 56°22'23" E
C4	20.00'	92°43'25"	32.37'	28.95'	S 33°44'43" W
C26	1884.00'	11°32'13"	379.36'	378.72'	S 54°48'06" W
C27	1884.00'	9°54'00"	326.53'	325.13'	S 53°59'00" W
C28	1884.00'	1°38'13"	53.83'	53.82'	S 59°45'06" W
C29	1284.00'	18°53'40"	423.43'	421.51'	S 70°01'03" W
C30	1284.00'	16°48'47"	376.78'	375.43'	S 68°58'36" W
C31	1284.00'	2°04'53"	46.64'	46.64'	S 78°25'27" W
C32	1592.00'	11°32'13"	320.56'	320.02'	S 54°48'06" W
C33	992.00'	19°24'56"	336.15'	334.55'	S 70°16'41" W
C34	992.00'	16°48'47"	291.10'	290.05'	S 68°58'36" W
C35	992.00'	2°36'09"	45.06'	45.05'	S 78°41'04" W
C71	1309.00'	18°53'40"	431.67'	429.72'	S 70°01'03" W
C72	1309.00'	2°10'00"	49.50'	49.50'	S 77°22'43" W
C73	1309.00'	2°10'00"	49.50'	49.50'	S 75°12'43" W
C74	1309.00'	2°10'00"	49.50'	49.50'	S 73°02'43" W
C75	1309.00'	2°10'00"	49.50'	49.50'	S 70°52'43" W
C76	1309.00'	2°10'00"	49.50'	49.50'	S 68°42'43" W
C77	1309.00'	2°10'00"	49.50'	49.50'	S 66°32'43" W
C78	1309.00'	1°00'52"	23.18'	23.18'	S 64°57'17" W
C79	1309.00'	3°52'38"	88.58'	88.56'	S 62°30'32" W
C80	1909.00'	0°18'01"	10.00'	10.00'	S 60°25'13" W
C81	20.00'	88°39'48"	30.95'	27.95'	S 75°23'54" E
C82	40.00'	49°27'30"	34.53'	33.47'	S 06°20'15" E
C83	60.00'	278°55'00"	292.08'	78.00'	S 58°56'00" W
C84	60.00'	18°20'32"	19.21'	19.13'	N 09°13'14" E
C85	60.00'	90°00'00"	94.25'	84.85'	N 44°57'02" W
C86	60.00'	90°00'00"	94.25'	84.85'	S 45°02'58" W
C87	60.00'	50°08'52"	52.51'	50.85'	S 25°01'28" E
C88	60.00'	30°25'36"	31.86'	31.49'	S 65°18'42" E
C89	40.00'	49°27'30"	34.53'	33.47'	N 55°47'45" E
C90	20.00'	88°39'48"	30.95'	27.95'	N 13°15'54" E
C91	1909.00'	7°13'36"	240.78'	240.62'	S 53°59'00" W
C92	1909.00'	3°37'48"	120.94'	120.92'	S 55°46'54" W
C188	1567.00'	9°52'12"	269.94'	269.60'	S 55°38'07" W
C192	1567.00'	1°58'00"	53.79'	53.78'	S 55°39'00" W
C193	1567.00'	1°58'00"	53.79'	53.78'	S 57°37'00" W
C194	1567.00'	1°58'13"	53.88'	53.88'	S 59°35'06" W

NO.	RADIUS	DELTA	ARC	CHORD	BEARING
C195	967.00'	14°05'22"	237.79'	237.19'	S 67°36'54" W
C196	967.00'	3°20'47"	56.48'	56.47'	S 62°14'36" W
C197	967.00'	3°20'00"	56.26'	56.25'	S 65°35'00" W
C198	967.00'	3°20'00"	56.26'	56.25'	S 68°55'00" W
C199	967.00'	4°04'35"	68.80'	68.78'	S 72°37'17" W
C200	20.00'	92°43'25"	32.37'	28.95'	N 58°58'43" W
C215	1859.00'	10°08'05"	328.83'	328.40'	S 55°30'10" W
C218	1859.00'	1°38'00"	52.99'	52.99'	S 54°43'00" W
C219	1859.00'	1°38'00"	52.99'	52.99'	S 56°21'00" W
C220	1859.00'	1°38'00"	52.99'	52.99'	S 57°59'00" W
C221	1859.00'	1°38'00"	52.99'	52.99'	S 59°37'00" W
C222	1859.00'	0°08'13"	4.44'	4.44'	S 60°30'06" W
C223	1259.00'	14°43'54"	323.71'	322.82'	S 67°56'10" W
C224	1259.00'	2°17'47"	50.46'	50.46'	S 61°43'06" W
C225	1259.00'	2°30'00"	54.93'	54.93'	S 64°07'00" W
C226	1259.00'	2°30'00"	54.93'	54.93'	S 66°37'00" W
C227	1259.00'	2°30'00"	54.93'	54.93'	S 69°07'00" W
C228	1259.00'	2°30'00"	54.93'	54.93'	S 71°37'00" W
C229	1259.00'	2°26'07"	53.51'	53.51'	S 74°05'03" W
C230	20.00'	92°04'53"	32.14'	28.79'	N 58°39'27" W
C231	20.00'	87°30'46"	30.55'	27.66'	N 31°08'23" E
C232	1017.00'	14°19'34"	254.29'	253.62'	S 67°44'00" W
C233	1017.00'	3°30'46"	44.60'	44.60'	S 73°38'23" W
C234	1017.00'	2°46'00"	49.11'	49.10'	S 71°00'00" W
C235	1017.00'	2°46'00"	49.11'	49.10'	S 68°14'00" W
C236	1017.00'	2°46'00"	49.11'	49.10'	S 65°28'00" W
C237	1017.00'	2°46'00"	49.11'	49.10'	S 62°42'00" W
C238	1017.00'	0°44'47"	13.25'	13.25'	S 60°56'36" W
C239	1617.00'	9°57'42"	281.14'	280.78'	S 55°35'22" W
C240	1617.00'	1°18'13"	36.79'	36.79'	S 59°55'06" W
C241	1617.00'	1°46'00"	49.86'	49.86'	S 58°23'00" W
C242	1617.00'	1°46'00"	49.86'	49.86'	S 56°37'00" W
C243	1617.00'	1°46'00"	49.86'	49.86'	S 54°51'00" W

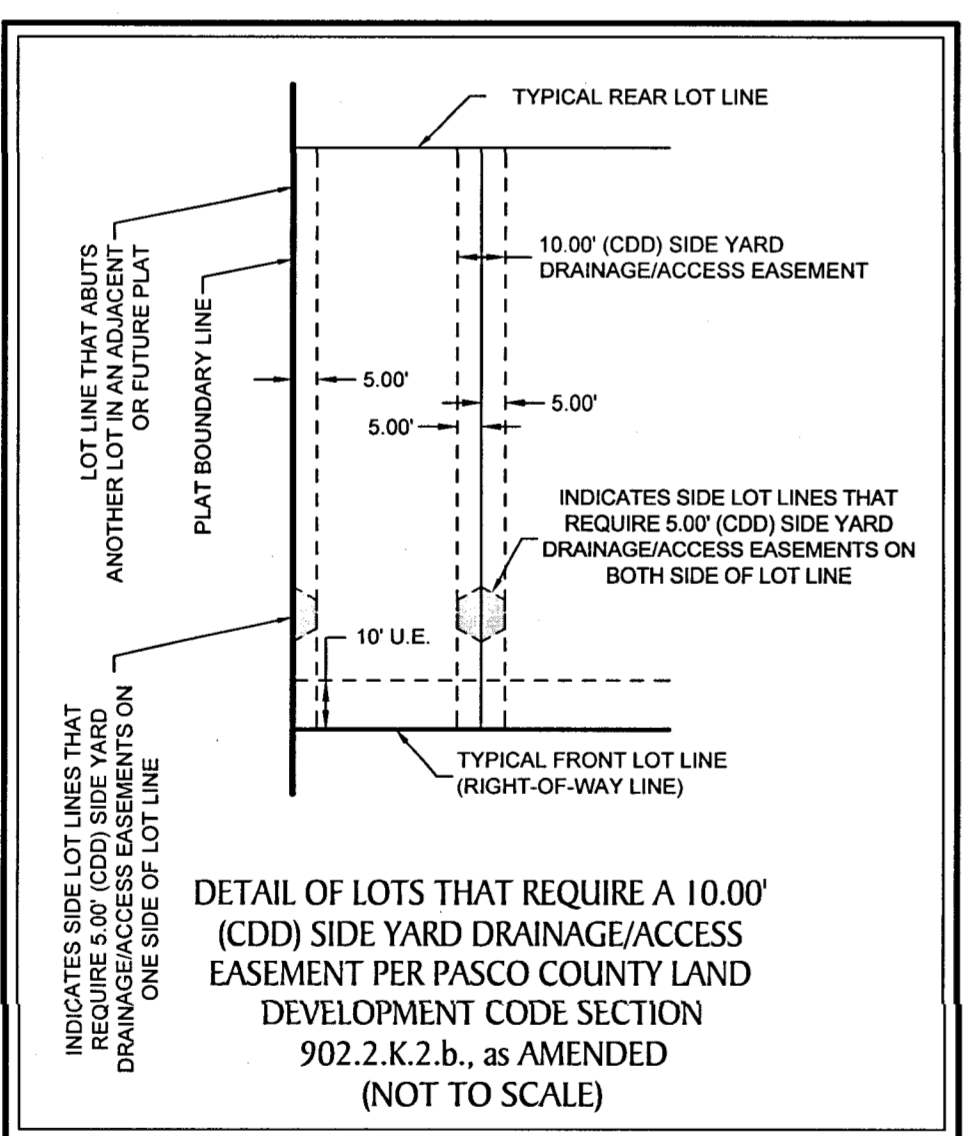
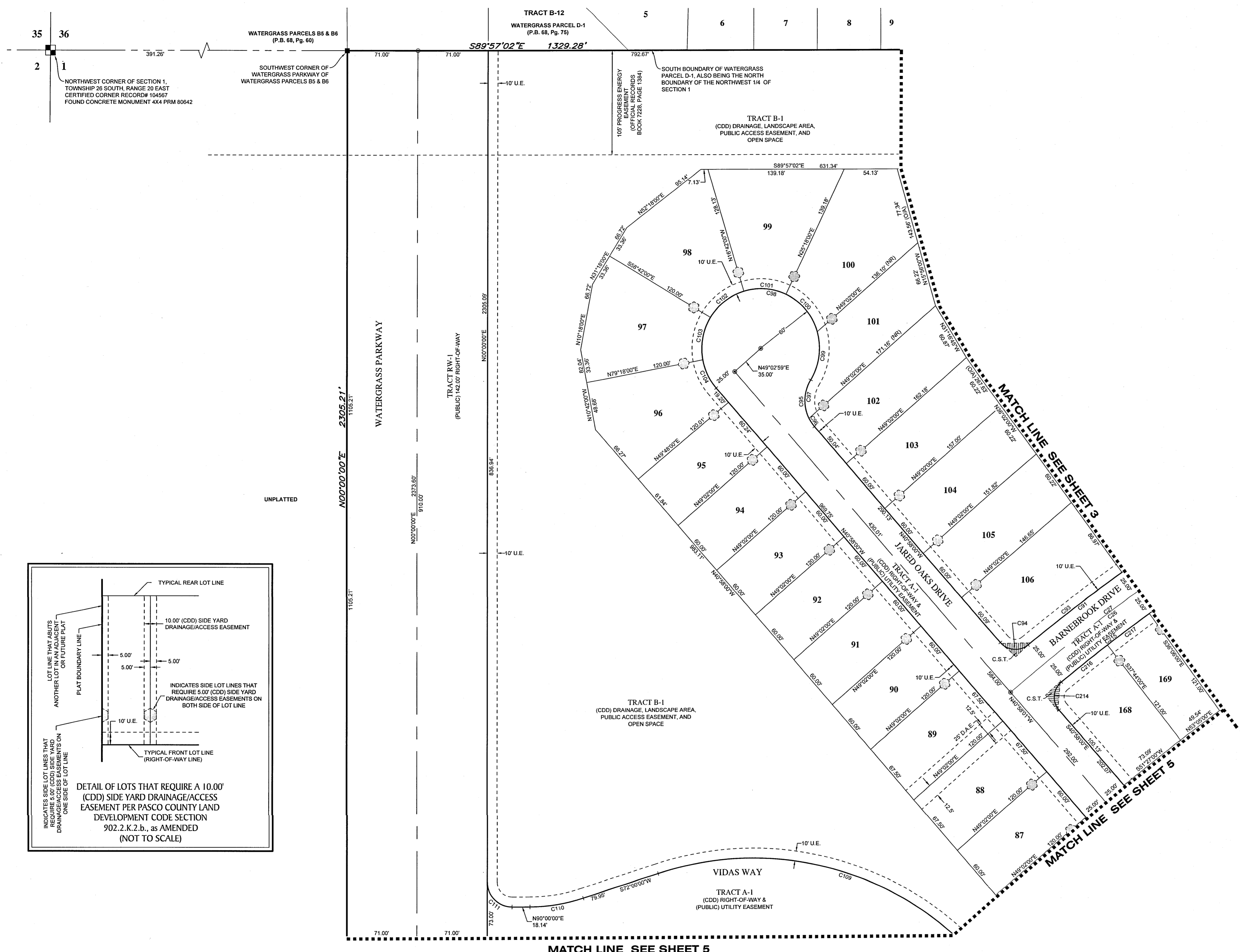
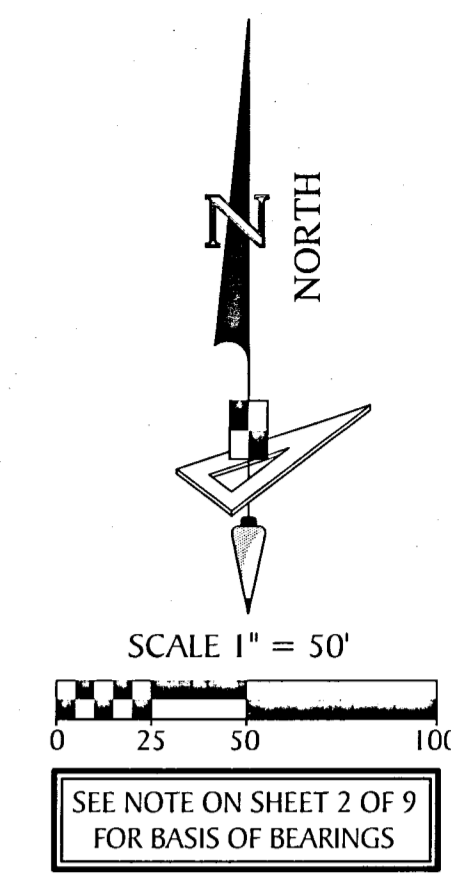


NO.	BEARING	LENGTH
L11	N 31°16'45" W	60.87'

- LEGEND:**
- indicates (P.R.M.) Permanent Reference Monument - 4"x4" Concrete Monument LB7768, unless otherwise noted.
  - ⊕ indicates (P.R.M.) Offset Permanent Reference Monument - 4"x4" Concrete Monument LB7768, unless otherwise noted.
  - indicates (P.C.P.) Permanent Control Point LB7768
  - D.A.E. ----- Drainage and Access Easement
  - U.E. ----- Utility Easement
  - C.S.T. ----- Clear Sight Triangle
  - S.W.F.W.M.D. ----- Southwest Florida Water Management District

# VIDA'S WAY LEGACY PHASE 1A

A SUBDIVISION OF LAND BEING A PORTION OF SECTION 1, TOWNSHIP 26 SOUTH, RANGE 20 EAST, PASCO COUNTY, FLORIDA

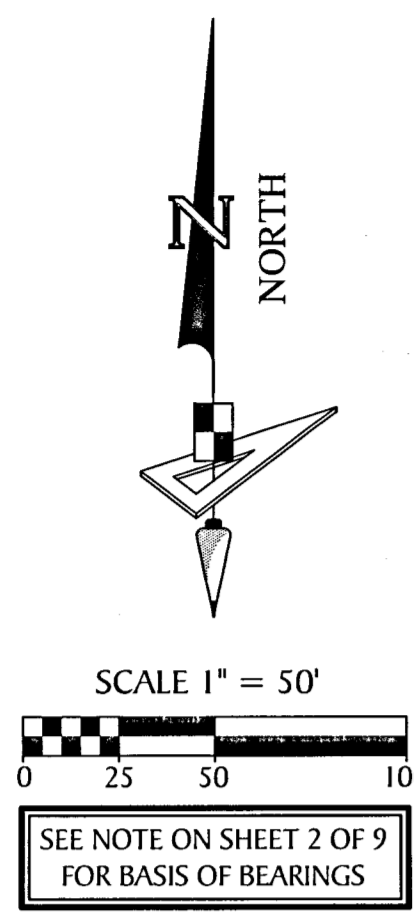


CURVE DATA TABLE					
NO.	RADIUS	DELTA	ARC	CHORD	BEARING
C26	1884.00'	11°32'13"	379.36'	378.72'	S 54°48'06" W
C27	1884.00'	9°54'00"	325.53'	325.13'	S 53°59'00" W
C91	1909.00'	7°13'36"	240.78'	240.62'	S 53°59'00" W
C93	1909.00'	3°35'48"	119.83'	119.81'	S 52°10'06" W
C94	20.00'	88°39'48"	30.95'	27.95'	S 85°17'54" E
C95	40.00'	72°32'33"	50.64'	47.33'	S 04°41'44" E
C96	40.00'	14°25'15"	10.07'	10.04'	S 33°45'22" E
C97	40.00'	58°07'17"	40.58'	38.86'	S 02°30'54" W
C98	60.00'	252°32'33"	264.48'	96.75'	S 85°18'16" W
C99	60.00'	47°27'48"	49.70'	48.29'	N 07°50'39" E
C100	60.00'	48°48'45"	51.12'	49.58'	N 40°17'38" W
C101	60.00'	42°00'00"	43.98'	43.00'	N 85°42'00" W
C102	60.00'	42°00'00"	43.98'	43.00'	S 52°18'00" W
C103	60.00'	42°00'00"	43.98'	43.00'	S 10°18'00" W
C104	60.00'	30°16'00"	31.70'	31.33'	S 25°50'00" E
C109	310.00'	72°06'03"	390.10'	364.87'	N 71°56'59" W
C110	175.00'	18°00'00"	54.98'	54.75'	N 81°00'00" E
C111	25.00'	90°00'00"	39.27'	35.36'	S 45°00'00" E
C214	20.00'	91°24'08"	31.91'	28.63'	S 04°44'04" W
C215	1859.00'	10°08'05"	328.83'	328.40'	S 55°30'10" W
C216	1859.00'	1°49'52"	59.41'	59.41'	S 51°21'04" W
C217	1859.00'	1°38'00"	52.99'	52.99'	S 53°05'00" W

- LEGEND:**
- indicates (P.R.M.) Permanent Reference Monument - 4"x4" Concrete Monument LB7768, unless otherwise noted.
  - indicates (P.R.M.) Offset Permanent Reference Monument - 4"x4" Concrete Monument LB7768, unless otherwise noted.
  - indicates (P.C.P.) Permanent Control Point LB7768
  - D.A.E. --- Drainage and Access Easement
  - U.E. --- Utility Easement
  - C.S.T. --- Clear Sight Triangle
  - S.W.F.W.M.D. --- Southwest Florida Water Management District

# VIDA'S WAY LEGACY PHASE 1A

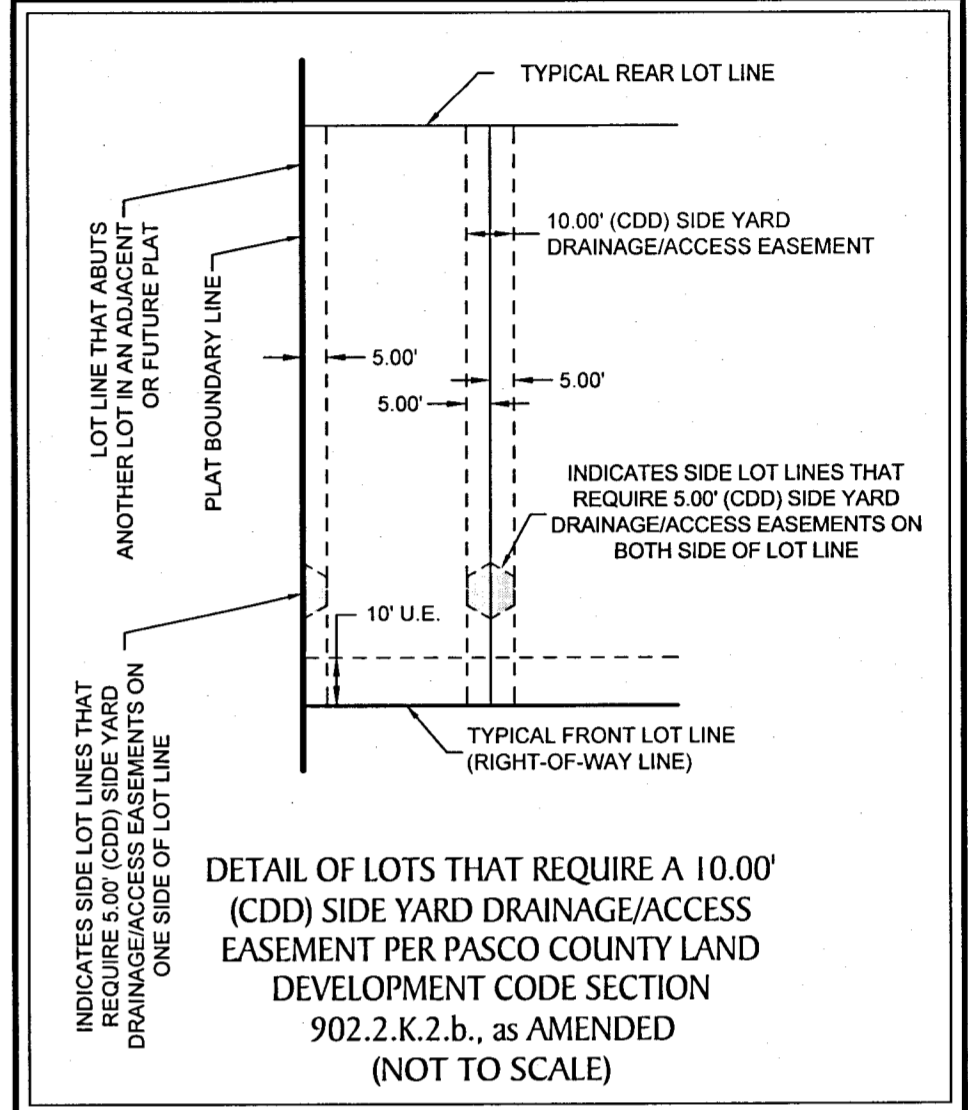
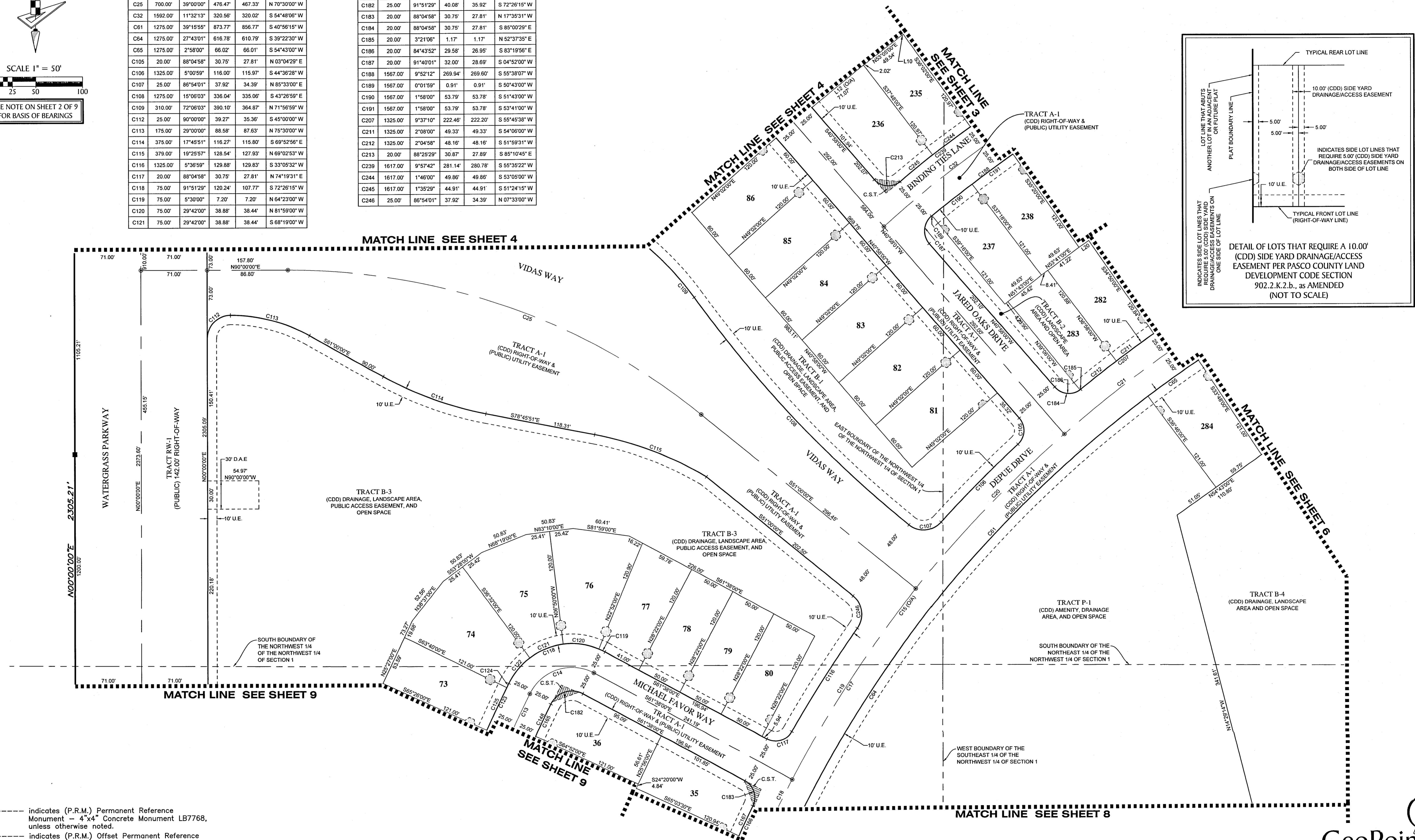
A SUBDIVISION OF LAND BEING A PORTION OF SECTION 1, TOWNSHIP 26 SOUTH, RANGE 20 EAST, PASCO COUNTY, FLORIDA



CURVE DATA TABLE					
NO.	RADIUS	DELTA	ARC	CHORD	BEARING
C13	1592.00'	26°45'03"	743.29'	736.56'	S 13°07'59" W
C14	50.00'	91°51'29"	80.16'	71.85'	S 72°26'15" W
C15	1300.00'	58°09'43"	1319.65'	1263.72'	S 31°29'21" W
C17	1300.00'	9°07'00"	206.85'	206.63'	S 23°48'30" W
C18	1300.00'	25°57'30"	588.98'	583.95'	S 15°23'15" W
C19	1300.00'	10°38'00"	241.26'	240.92'	S 33°41'00" W
C20	1300.00'	10°02'00"	227.65'	227.36'	S 44°01'00" W
C21	1300.00'	11°32'13"	261.76'	261.32'	S 54°48'06" W
C25	700.00'	39°00'00"	476.47'	467.33'	N 70°30'00" W
C32	1592.00'	11°32'13"	320.56'	320.02'	S 54°48'06" W
C61	1275.00'	39°15'55"	873.77'	856.77'	S 40°56'15" W
C64	1275.00'	27°43'01"	616.78'	610.79'	S 39°22'30" W
C65	1275.00'	2°58'00"	66.02'	66.01'	S 54°43'00" W
C105	20.00'	88°04'58"	30.75'	27.81'	N 03°04'29" E
C106	1325.00'	5°00'59"	116.00'	115.97'	S 44°36'28" W
C107	25.00'	86°54'01"	37.92'	34.39'	N 85°33'00" E
C108	1275.00'	15°06'03"	336.04'	335.06'	S 43°26'59" E
C109	310.00'	72°06'03"	390.10'	364.87'	N 71°56'59" W
C112	25.00'	90°00'00"	39.27'	35.36'	S 45°00'00" W
C113	175.00'	29°00'00"	88.58'	88.27'	N 75°30'00" W
C114	375.00'	17°45'51"	116.27'	115.80'	S 69°52'56" E
C115	375.00'	19°25'57"	128.54'	127.93'	N 69°02'53" W
C116	1325.00'	5°58'59"	129.88'	129.83'	S 33°05'32" W
C117	20.00'	88°04'58"	30.75'	27.81'	N 74°19'31" E
C118	75.00'	91°51'29"	120.24'	107.77'	S 72°26'15" W
C119	75.00'	5°30'00"	7.20'	7.20'	N 64°23'00" W
C120	75.00'	29°42'00"	38.88'	38.44'	N 81°59'00" W
C121	75.00'	29°42'00"	38.88'	38.44'	S 88°19'00" W

CURVE DATA TABLE					
NO.	RADIUS	DELTA	ARC	CHORD	BEARING
C122	75.00'	26°57'29"	35.29'	34.96'	S 39°59'15" W
C123	1617.00'	26°45'03"	754.96'	748.13'	S 13°07'59" W
C124	1617.00'	0°10'31"	4.94'	4.94'	S 26°25'15" W
C125	1617.00'	1°46'00"	49.86'	49.86'	S 25°27'00" W
C148	1567.00'	26°45'03"	731.62'	724.99'	S 13°07'59" W
C165	1567.00'	1°22'31"	37.61'	37.61'	S 25°49'15" W
C166	1325.00'	24°02'28"	555.96'	551.89'	S 14°25'44" W
C167	1325.00'	1°30'28"	34.87'	34.87'	S 25°41'44" W
C182	25.00'	91°51'29"	40.08'	35.92'	S 72°26'15" W
C183	20.00'	88°04'58"	30.75'	27.81'	N 17°35'31" W
C184	20.00'	88°04'58"	30.75'	27.81'	S 85°00'29" E
C185	20.00'	3°21'06"	1.17'	1.17'	N 52°37'35" E
C186	20.00'	84°43'52"	29.58'	26.95'	S 83°19'56" E
C187	20.00'	91°40'01"	32.00'	28.69'	S 04°52'00" W
C188	1567.00'	9°52'12"	269.94'	269.60'	S 55°38'07" W
C189	1567.00'	0°01'59"	0.91'	0.91'	S 50°43'00" W
C190	1567.00'	1°58'00"	53.78'	53.78'	S 51°43'00" W
C191	1567.00'	1°58'00"	53.78'	53.78'	S 53°41'00" W
C207	1325.00'	9°37'10"	222.46'	222.20'	S 45°00'00" W
C211	1325.00'	2°08'00"	49.33'	49.33'	S 54°06'00" W
C212	1325.00'	2°04'58"	48.16'	48.16'	S 51°59'31" W
C213	20.00'	88°25'29"	30.87'	27.89'	S 85°10'45" E
C239	1617.00'	9°57'42"	281.14'	280.78'	S 55°35'22" W
C244	1617.00'	1°46'00"	49.86'	49.86'	S 53°05'00" W
C245	1617.00'	1°35'29"	44.91'	44.91'	S 51°24'15" W
C246	25.00'	86°54'01"	37.92'	34.39'	N 07°33'00" W

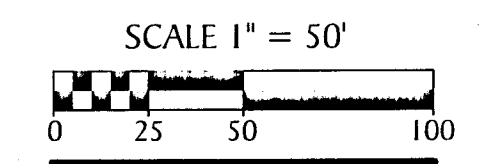
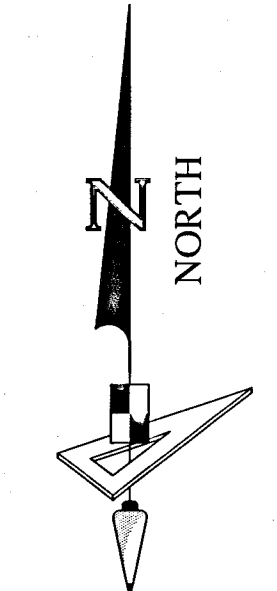
LINE DATA TABLE		
NO.	BEARING	LENGTH
L10	N 54°43'00" E	2.02'
L12	S 51°27'00" W	73.09'
L20	N 55°39'00" E	12.62'



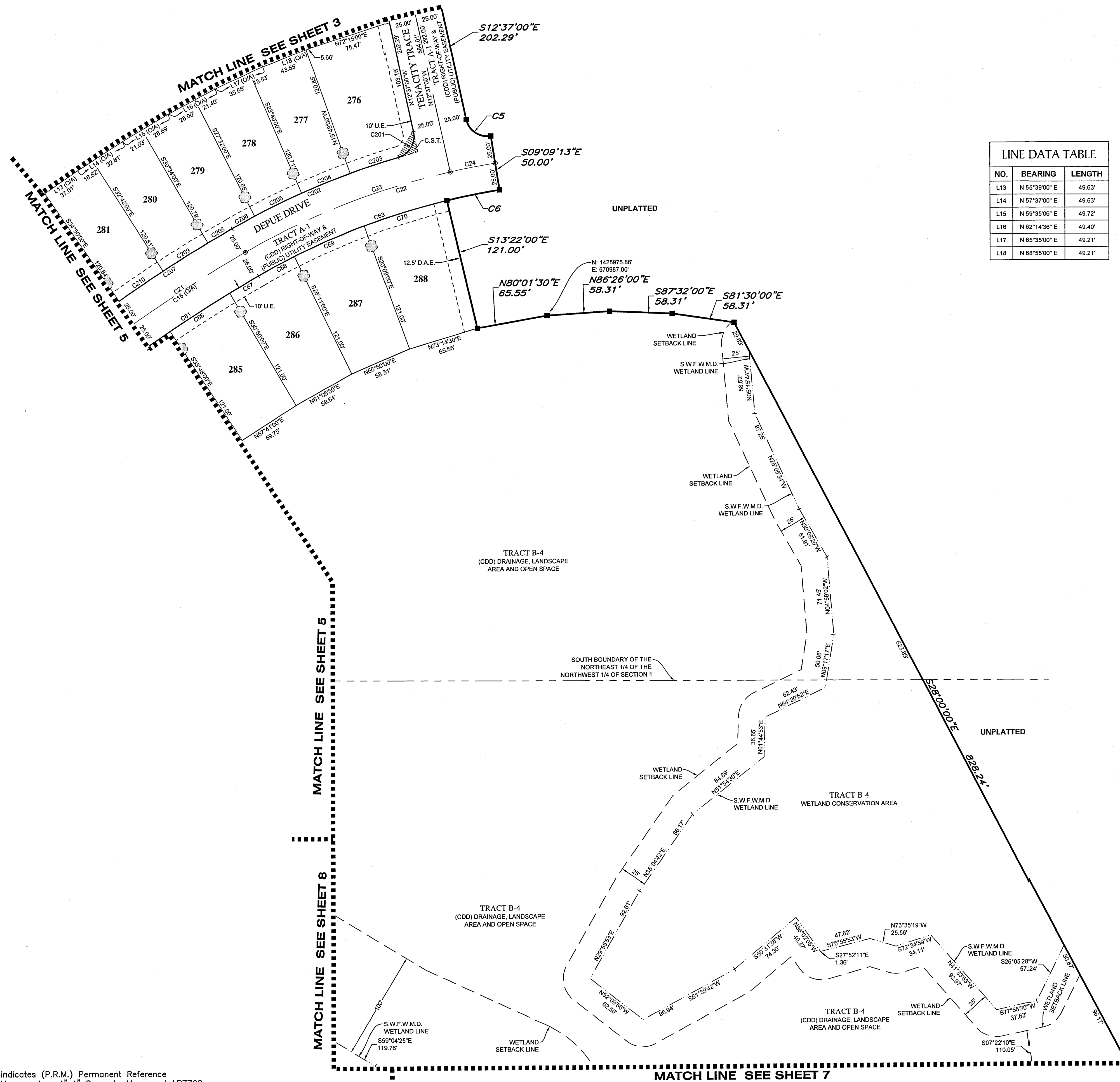
- LEGEND:**
- indicates (P.R.M.) Permanent Reference Monument - 4"x4" Concrete Monument LB7768, unless otherwise noted.
  - ⊕ indicates (P.R.M.) Offset Permanent Reference Monument - 4"x4" Concrete Monument LB7768, unless otherwise noted.
  - indicates (P.C.P.) Permanent Control Point LB7768
  - D.A.E. ----- Drainage and Access Easement
  - U.E. ----- Utility Easement
  - C.S.T. ----- Clear Sight Triangle
  - S.W.F.W.M.D. ----- Southwest Florida Water Management District

# VIDA'S WAY LEGACY PHASE 1A

A SUBDIVISION OF LAND BEING A PORTION OF SECTION 1, TOWNSHIP 26 SOUTH, RANGE 20 EAST, PASCO COUNTY, FLORIDA

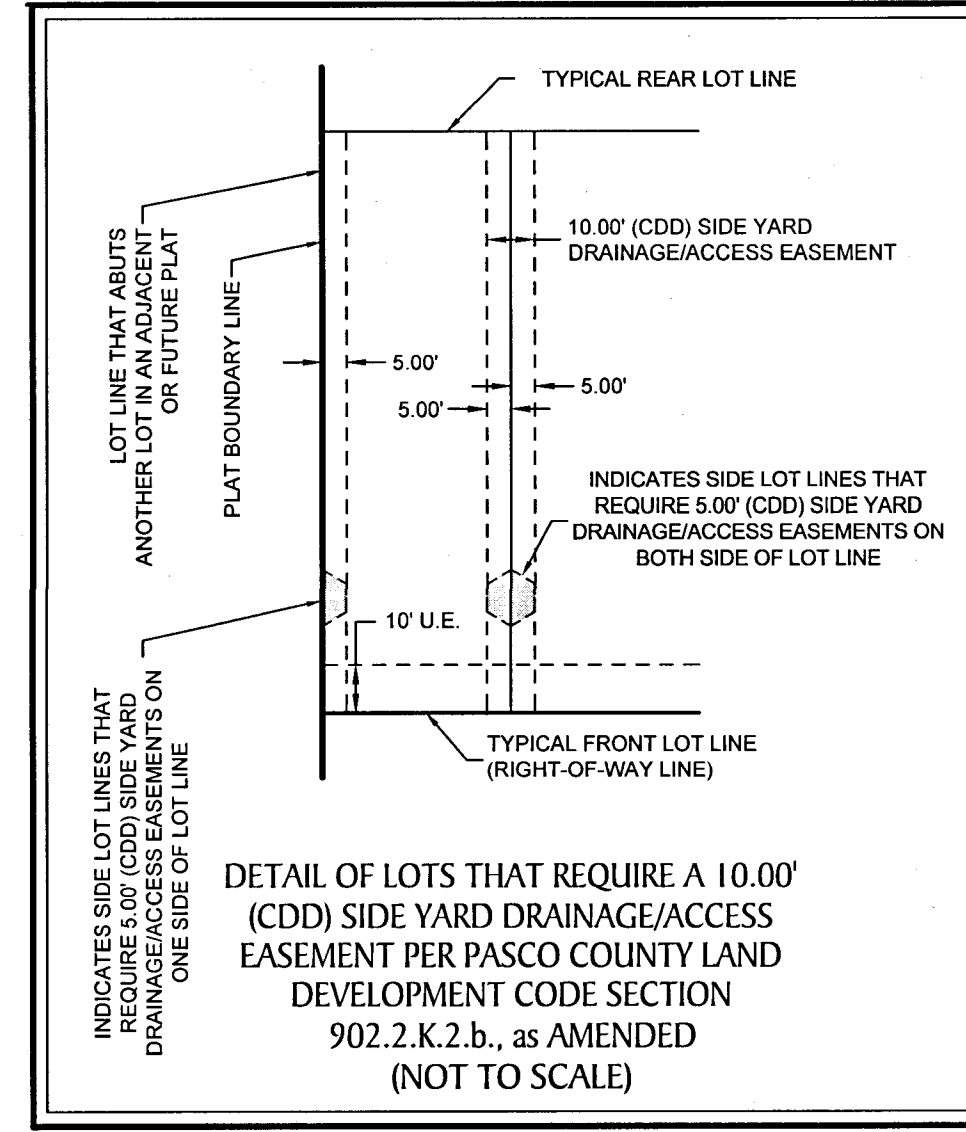


SEE NOTE ON SHEET 2 OF 9 FOR BASIS OF BEARINGS



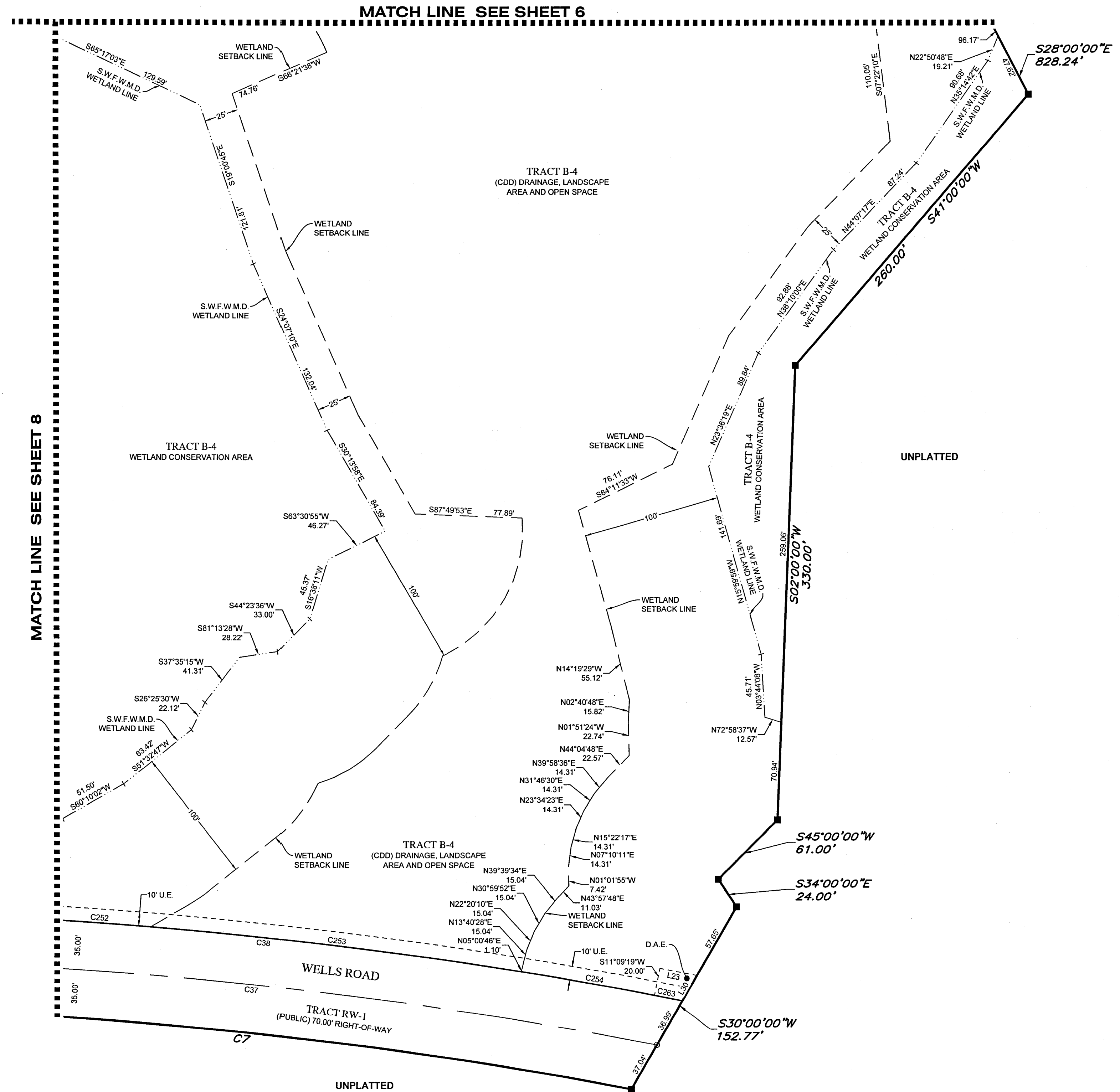
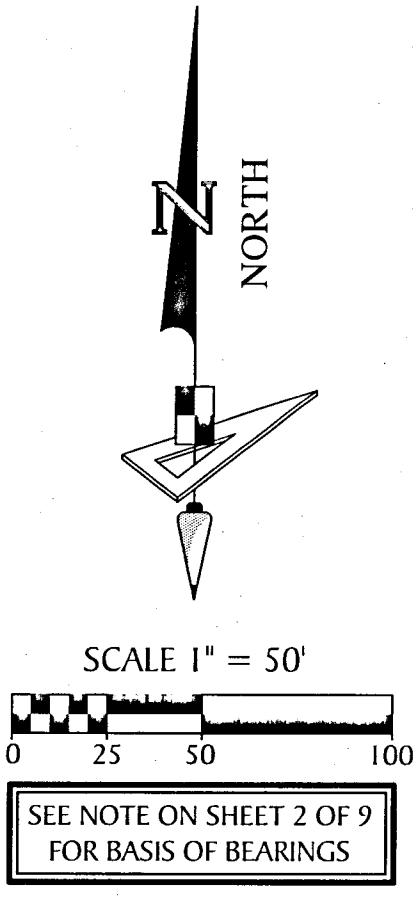
NO.	BEARING	LENGTH
L13	N 55°39'00" E	49.63'
L14	N 57°37'00" E	49.63'
L15	N 59°35'06" E	49.72'
L16	N 62°14'38" E	49.40'
L17	N 65°35'00" E	49.21'
L18	N 68°55'00" E	49.21'

NO.	RADIUS	DELTA	ARC	CHORD	BEARING
C5	20.00'	86°32'13"	30.21'	27.42'	S 55°53'07" E
C6	675.00'	4°12'47"	49.63'	49.62'	S 78°44'23" W
C15	1300.00'	58°09'43"	1319.65'	1263.72'	S 31°29'21" W
C21	1300.00'	11°32'13"	261.78'	261.32'	S 54°48'06" W
C22	700.00'	20°16'34"	247.72'	246.43'	S 70°42'30" W
C23	700.00'	16°48'47"	205.41'	204.67'	S 68°58'36" W
C24	700.00'	3°27'47"	42.31'	42.30'	S 79°06'53" W
C61	1275.00'	39°15'55"	873.77'	856.77'	S 40°56'15" W
C63	675.00'	20°16'34"	238.87'	237.63'	S 70°42'30" W
C66	1275.00'	2°58'00"	66.02'	66.01'	S 57°41'00" W
C67	1275.00'	1°24'13"	31.23'	31.23'	S 59°52'06" W
C68	675.00'	3°14'47"	38.25'	38.24'	S 62°11'36" W
C69	675.00'	6°02'00"	71.08'	71.05'	S 66°50'00" W
C70	675.00'	6°47'00"	79.91'	79.87'	S 73°14'30" W
C201	20.00'	86°32'13"	30.21'	27.42'	N 30°39'07" E
C202	725.00'	13°21'01"	168.93'	168.55'	S 67°14'43" W
C203	725.00'	3°43'13"	47.08'	47.07'	S 72°03'37" W
C204	725.00'	3°52'00"	48.93'	48.92'	S 68°16'00" W
C205	725.00'	3°52'00"	48.93'	48.92'	S 64°24'00" W
C206	725.00'	1°53'47"	24.00'	24.00'	S 61°31'06" W
C207	1325.00'	9°37'10"	222.46'	222.20'	S 55°45'38" W
C208	1325.00'	1°08'13"	26.29'	26.29'	S 60°00'06" W
C209	1325.00'	2°08'00"	49.33'	49.33'	S 58°22'00" W
C210	1325.00'	2°08'00"	49.33'	49.33'	S 56°14'00" W



- LEGEND:**
- indicates (P.R.M.) Permanent Reference Monument - 4"x4" Concrete Monument LB7768, unless otherwise noted.
  - indicates (P.R.M.) Offset Permanent Reference Monument - 4"x4" Concrete Monument LB7768, unless otherwise noted.
  - indicates (P.C.P.) Permanent Control Point LB7768
  - D.A.E. ----- Drainage and Access Easement
  - U.E. ----- Utility Easement
  - C.S.T. ----- Clear Sight Triangle
  - S.W.F.W.M.D. ----- Southwest Florida Water Management District

**VIDA'S WAY LEGACY PHASE 1A**  
 A SUBDIVISION OF LAND BEING A PORTION OF SECTION 1, TOWNSHIP 26 SOUTH, RANGE 20 EAST, PASCO COUNTY, FLORIDA

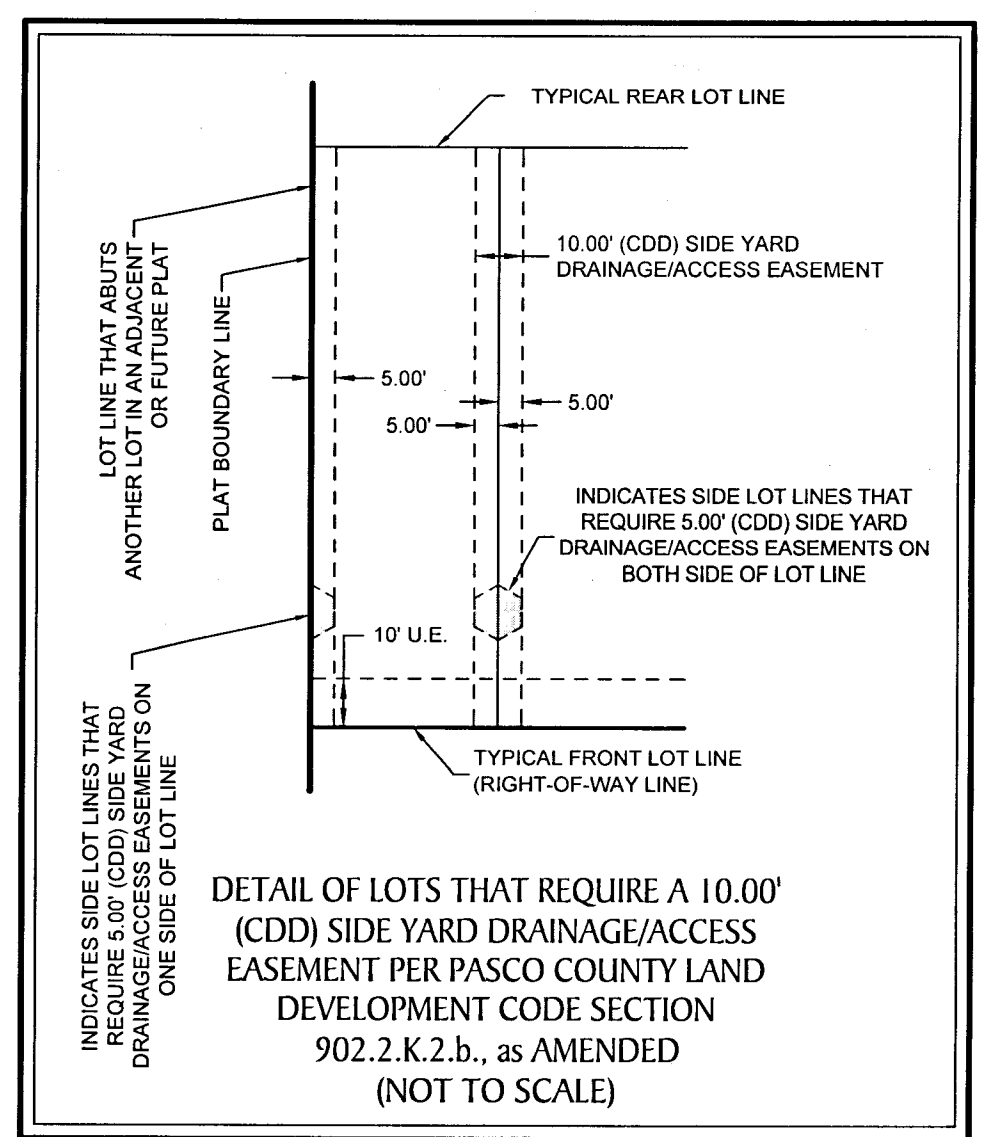


**CURVE DATA TABLE**

NO.	RADIUS	DELTA	ARC	CHORD	BEARING
C7	3265.00'	10°47'35"	615.04'	614.13'	N 84°36'13" W
C37	3300.00'	11°00'16"	633.82'	632.84'	N 84°29'52" W
C38	3335.00'	11°12'41"	652.58'	651.54'	N 84°23'39" W
C252	3335.00'	2°57'41"	172.37'	172.35'	N 87°00'05" W
C253	3335.00'	4°40'38"	272.25'	272.17'	N 83°10'55" W
C254	3335.00'	1°41'53"	98.83'	98.83'	S 79°59'40" E
C263	3335.00'	0°21'24"	20.77'	20.77'	S 78°58'01" E

**LINE DATA TABLE**

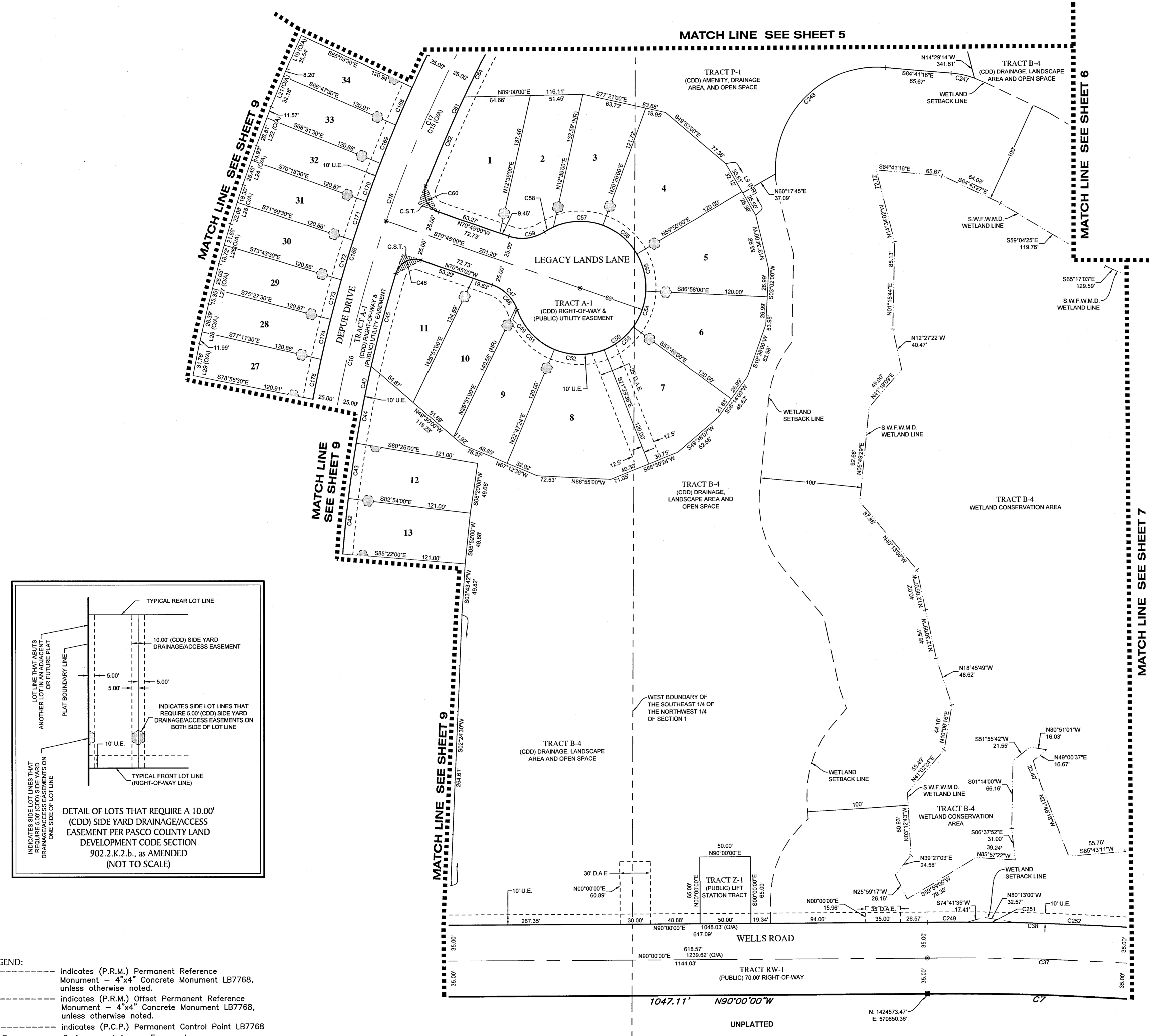
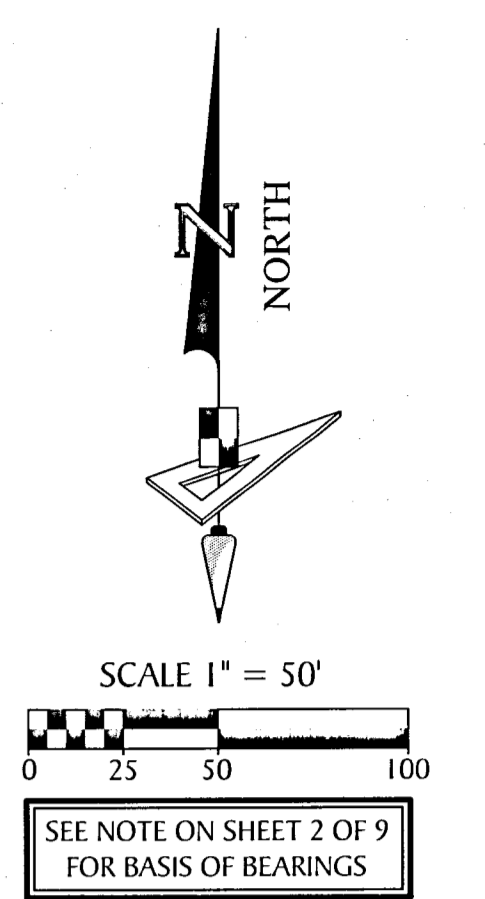
NO.	BEARING	LENGTH
L23	N 78°50'41" W	27.58'
L30	N 30°00'00" E	21.09'



- LEGEND:**
- ----- indicates (P.R.M.) Permanent Reference Monument - 4"x4" Concrete Monument LB7768, unless otherwise noted.
  - ⊕ ----- indicates (P.R.M.) Offset Permanent Reference Monument - 4"x4" Concrete Monument LB7768, unless otherwise noted.
  - ----- indicates (P.C.P.) Permanent Control Point LB7768
  - D.A.E. ----- Drainage and Access Easement
  - U.E. ----- Utility Easement
  - C.S.T. ----- Clear Sight Triangle
  - S.W.F.W.M.D. ----- Southwest Florida Water Management District

# VIDA'S WAY LEGACY PHASE 1A

A SUBDIVISION OF LAND BEING A PORTION OF SECTION 1, TOWNSHIP 26 SOUTH, RANGE 20 EAST, PASCO COUNTY, FLORIDA

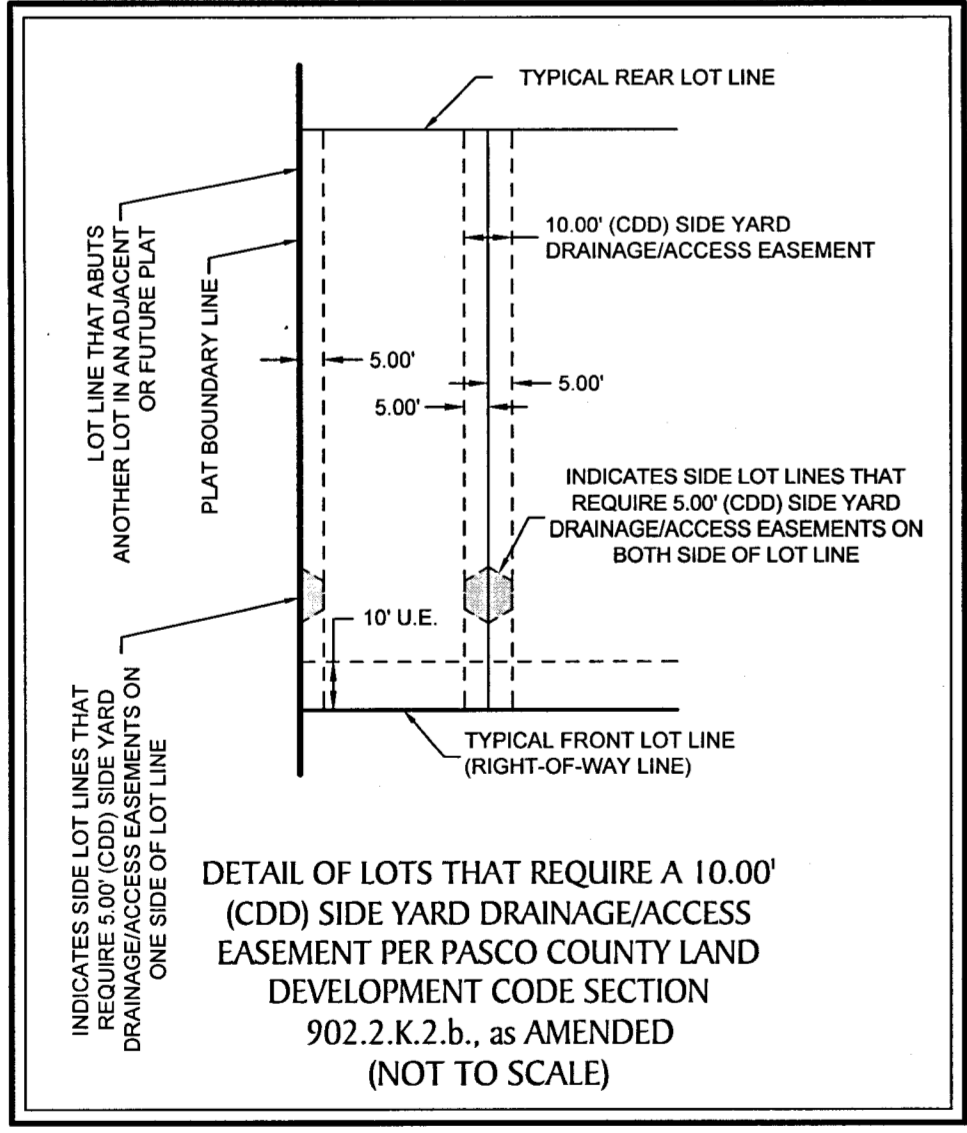


**LINE DATA TABLE**

NO.	BEARING	LENGTH
L9	S 30°10'00" E	59.11'
L19	N 24°20'00" E	40.38'
L21	N 22°44'00" E	40.38'
L22	N 21°00'00" E	40.38'
L24	N 19°32'00" E	40.38'
L25	N 17°56'00" E	40.38'
L26	N 16°20'00" E	40.38'
L29	N 11°32'00" E	40.38'

**CURVE DATA TABLE**

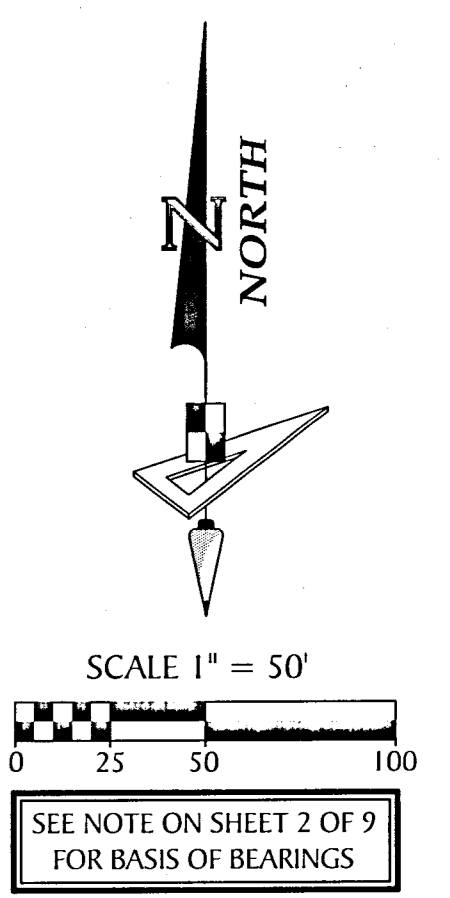
NO.	RADIUS	DELTA	ARC	CHORD	BEARING
C7	3265.00'	10°47'35"	615.04'	614.13'	N 84°36'13" W
C15	1300.00'	58°09'43"	1319.65'	1263.72'	S 31°29'21" W
C16	1300.00'	16°50'30"	382.13'	380.75'	S 10°49'45" W
C17	1300.00'	9°07'00"	206.85'	206.63'	S 23°48'30" W
C18	1300.00'	25°57'30"	588.98'	583.95'	S 15°23'15" W
C37	3300.00'	11°00'16"	633.82'	632.84'	N 84°29'52" W
C38	3335.00'	11°12'41"	652.58'	651.54'	N 84°23'39" W
C40	1275.00'	14°47'12"	329.05'	328.14'	S 09°48'06" W
C42	1275.00'	2°28'00"	54.89'	54.89'	S 05°52'00" W
C43	1275.00'	2°28'00"	54.89'	54.89'	S 08°20'00" W
C45	1275.00'	4°11'56"	93.44'	93.42'	S 15°05'45" W
C46	20.00'	92°03'18"	32.13'	28.79'	S 63°13'21" W
C47	40.00'	51°45'12"	36.13'	34.91'	N 44°52'24" W
C48	40.00'	47°10'19"	32.93'	32.01'	N 47°09'50" W
C49	40.00'	4°34'53"	3.20'	3.20'	N 21°17'14" W
C50	65.00'	283°30'24"	321.63'	80.48'	N 19°15'00" E
C51	65.00'	48°12'48"	54.70'	53.10'	S 43°06'12" E
C52	65.00'	44°17'46"	50.25'	49.01'	S 89°21'29" E
C53	65.00'	32°15'38"	36.60'	36.12'	N 52°21'49" E
C54	65.00'	33°12'00"	37.66'	37.14'	N 19°38'00" E
C55	65.00'	33°12'00"	37.66'	37.14'	N 13°34'00" W
C56	65.00'	39°24'00"	44.70'	43.82'	N 49°52'00" W
C57	65.00'	44°02'22"	49.96'	48.74'	S 68°24'49" W
C58	65.00'	8°53'50"	10.09'	10.08'	S 61°56'43" W
C59	40.00'	51°45'12"	36.13'	34.91'	N 83°22'24" E
C60	20.00'	92°03'18"	32.13'	28.79'	S 24°43'21" E
C61	1275.00'	39°19'55"	873.77'	856.77'	S 40°56'15" W
C62	1275.00'	4°12'42"	93.72'	93.70'	S 23°24'38" W
C64	1275.00'	27°43'01"	616.78'	610.79'	S 39°22'30" W
C166	1325.00'	24°02'28"	555.96'	551.89'	S 14°25'44" W
C168	1325.00'	1°44'00"	40.08'	40.08'	S 24°04'30" W
C169	1325.00'	1°44'00"	40.08'	40.08'	S 22°20'30" W
C170	1325.00'	1°44'00"	40.08'	40.08'	S 20°36'30" W
C171	1325.00'	1°44'00"	40.08'	40.08'	S 18°52'30" W
C172	1325.00'	24°02'28"	555.96'	551.89'	S 14°25'44" W
C173	1325.00'	1°44'00"	40.08'	40.08'	S 15°24'30" W
C174	1325.00'	1°44'00"	40.08'	40.08'	S 13°40'30" W
C175	1325.00'	1°44'00"	40.08'	40.08'	S 11°56'30" W
C247	100.00'	13°34'05"	23.68'	23.63'	N 77°54'14" W
C248	100.00'	97°11'44"	169.64'	150.02'	N 86°42'52" W
C249	3335.00'	0°40'00"	39.46'	39.46'	N 89°39'40" W
C251	3335.00'	0°50'24"	48.90'	48.90'	N 88°54'07" W
C252	3335.00'	2°57'41"	172.37'	172.35'	N 87°00'05" W



- LEGEND:**
- indicates (P.R.M.) Permanent Reference Monument - 4"x4" Concrete Monument LB7768, unless otherwise noted.
  - indicates (P.R.M.) Offset Permanent Reference Monument - 4"x4" Concrete Monument LB7768, unless otherwise noted.
  - indicates (P.C.P.) Permanent Control Point LB7768
  - D.A.E. ----- Drainage and Access Easement
  - U.E. ----- Utility Easement
  - C.S.T. ----- Clear Sight Triangle
  - S.W.F.W.M.D. ----- Southwest Florida Water Management District

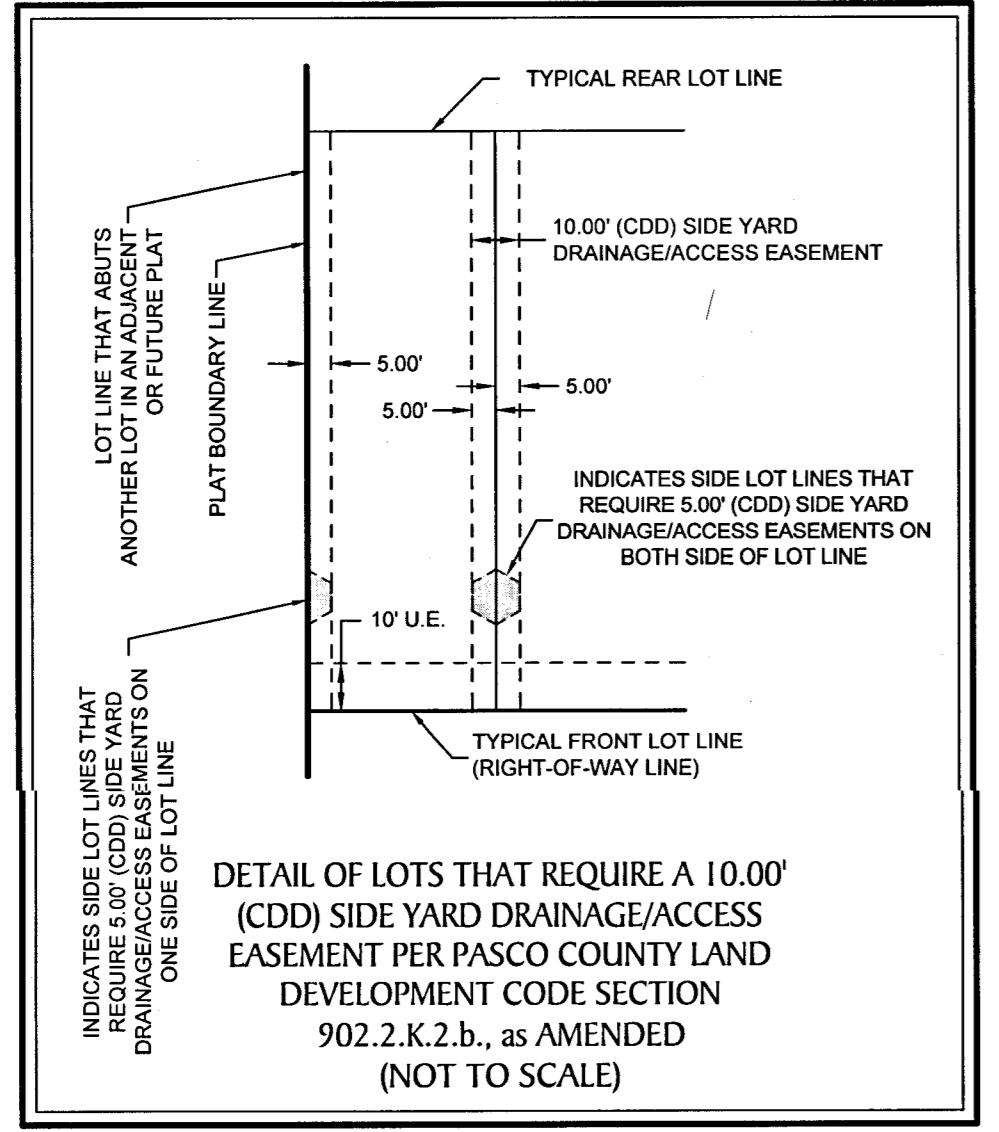
# VIDA'S WAY LEGACY PHASE 1A

A SUBDIVISION OF LAND BEING A PORTION OF SECTION 1, TOWNSHIP 26 SOUTH, RANGE 20 EAST, PASCO COUNTY, FLORIDA



NO.	RADIUS	DELTA	ARC	CHORD	BEARING
C8	25.00	92°03'46"	40.17	35.99	S 43°58'07" W
C9	25.00	88°10'52"	38.48	34.79	N 45°54'34" W
C10	25.00	90°00'00"	39.27	35.36	N 45°00'00" E
C12	50.00	87°20'57"	76.23	69.06	S 43°55'01" E
C13	1592.00	26°45'03"	743.29	736.56	S 13°07'59" W
C15	1300.00	58°09'43"	1319.65	1263.72	S 31°29'21" W
C16	1300.00	16°50'30"	382.13	380.75	S 10°49'45" W
C18	1300.00	25°57'30"	588.98	583.95	S 15°23'15" W
C36	25.00	90°00'00"	39.27	35.36	S 45°00'00" E
C39	20.00	92°24'30"	32.26	28.87	S 43°47'45" E
C40	1275.00	14°47'12"	328.05	328.14	S 09°48'06" W
C41	1275.00	2°13'30"	49.51	49.51	S 03°31'15" W
C123	1617.00	26°45'03"	754.96	748.13	S 13°07'59" W
C126	1617.00	1°46'00"	49.86	49.86	S 23°41'00" W
C127	1617.00	1°46'00"	49.86	49.86	S 21°55'00" W
C128	1617.00	1°46'00"	49.86	49.86	S 20°09'00" W
C129	1617.00	1°46'00"	49.86	49.86	S 18°23'00" W
C130	1617.00	1°46'00"	49.86	49.86	S 16°37'00" W
C131	1617.00	1°46'00"	49.86	49.86	S 14°51'00" W
C132	1617.00	1°46'00"	49.86	49.86	S 13°05'00" W
C133	1617.00	1°46'00"	49.86	49.86	S 11°19'00" W
C134	1617.00	1°46'00"	49.86	49.86	S 09°33'00" W
C135	1617.00	1°46'00"	49.86	49.86	S 07°47'00" W
C136	1617.00	1°46'00"	49.86	49.86	S 06°01'00" W
C138	1617.00	1°46'00"	49.86	49.86	S 02°29'00" W
C139	1617.00	1°46'00"	49.86	49.86	S 00°43'00" W
C140	1617.00	0°04'33"	2.14	2.14	S 00°12'16" E
C141	75.00	87°20'57"	114.34	103.58	S 43°55'01" E
C142	75.00	28°27'27"	37.25	36.87	S 14°28'16" E
C143	75.00	29°42'00"	38.88	38.44	S 43°33'00" E
C144	75.00	29°11'30"	38.21	37.80	S 72°59'45" E
C145	20.00	90°00'00"	31.42	28.28	N 42°35'30" W

NO.	RADIUS	DELTA	ARC	CHORD	BEARING
C146	20.00	87°35'30"	30.58	27.68	N 48°12'15" E
C147	25.00	87°20'57"	38.11	34.53	S 43°55'01" E
C148	1567.00	26°45'03"	731.62	724.99	S 13°07'59" W
C149	1567.00	1°22'33"	37.63	37.63	S 00°26'44" W
C150	1567.00	1°36'00"	43.76	43.76	S 01°56'00" W
C151	1567.00	1°36'00"	43.76	43.76	S 03°32'00" W
C152	1567.00	1°36'00"	43.76	43.76	S 05°08'00" W
C153	1567.00	1°36'00"	43.76	43.76	S 06°44'00" W
C154	1567.00	1°36'00"	43.76	43.76	S 08°20'00" W
C155	1567.00	1°36'00"	43.76	43.76	S 09°56'00" W
C156	1567.00	1°36'00"	43.76	43.76	S 11°32'00" W
C157	1567.00	1°36'00"	43.76	43.76	S 13°08'00" W
C158	1567.00	1°36'00"	43.76	43.76	S 14°44'00" W
C159	1567.00	1°36'00"	43.76	43.76	S 16°20'00" W
C160	1567.00	1°36'00"	43.76	43.76	S 17°56'00" W
C161	1567.00	1°36'00"	43.76	43.76	S 19°32'00" W
C162	1567.00	1°36'00"	43.76	43.76	S 21°08'00" W
C163	1567.00	1°36'00"	43.76	43.76	S 22°44'00" W
C164	1567.00	1°36'00"	43.76	43.76	S 24°20'00" W
C166	1325.00	24°02'28"	555.96	551.89	S 14°25'44" W
C176	1325.00	1°44'00"	40.08	40.08	S 10°12'30" W
C177	1325.00	1°44'00"	40.08	40.08	S 08°28'30" W
C178	1325.00	1°44'00"	40.08	40.08	S 06°44'30" W
C179	1325.00	1°44'00"	40.08	40.08	S 05°00'30" W
C180	1325.00	1°44'00"	40.08	40.08	S 03°16'30" W
C181	20.00	90°00'00"	31.42	28.28	N 47°24'30" E
C252	3335.00	2°57'41"	172.37	172.35	N 87°00'05" W
C253	3335.00	4°40'38"	272.25	272.17	N 83°10'55" W
C254	3335.00	1°41'53"	98.83	98.83	S 79°59'40" W



- LEGEND:**
- indicates (P.R.M.) Permanent Reference Monument - 4"x4" Concrete Monument LB7768, unless otherwise noted.
  - ⊕ indicates (P.R.M.) Offset Permanent Reference Monument - 4"x4" Concrete Monument LB7768, unless otherwise noted.
  - indicates (P.C.P.) Permanent Control Point LB7768
  - D.A.E. --- Drainage and Access Easement
  - U.E. --- Utility Easement
  - C.S.T. --- Clear Sight Triangle
  - S.W.F.W.M.D. --- Southwest Florida Water Management District

